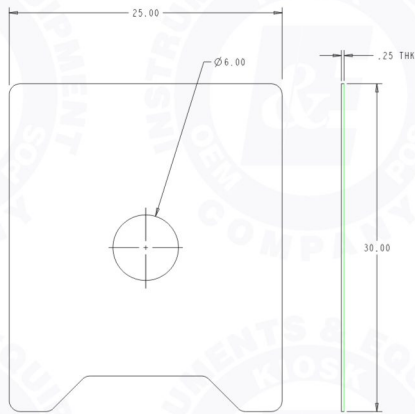
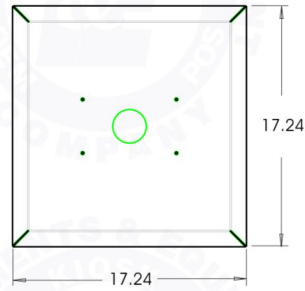


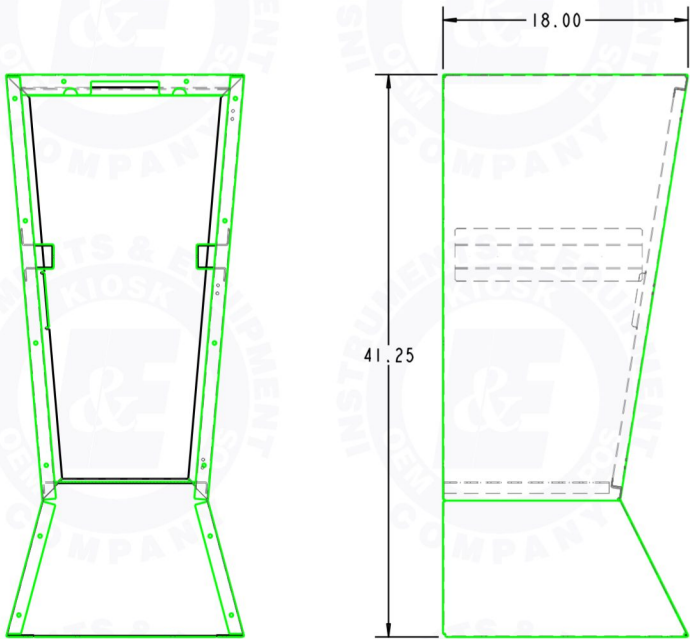
BASE PLATE



TOP PLATE

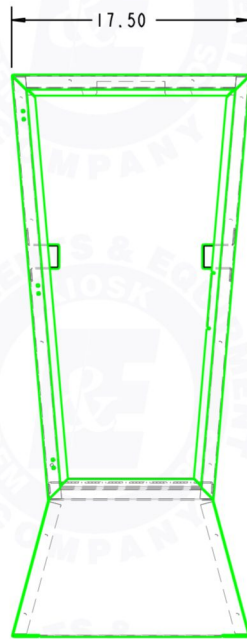


PHANTOM
WELDMENT DIMENSIONS

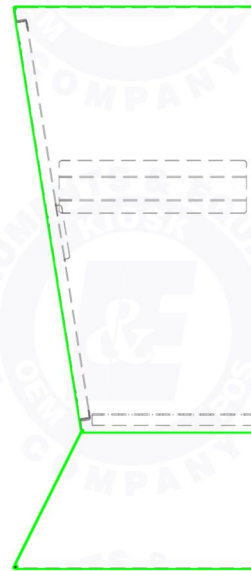


BACK

LEFT SIDE



FRONT



RIGHT SIDE

